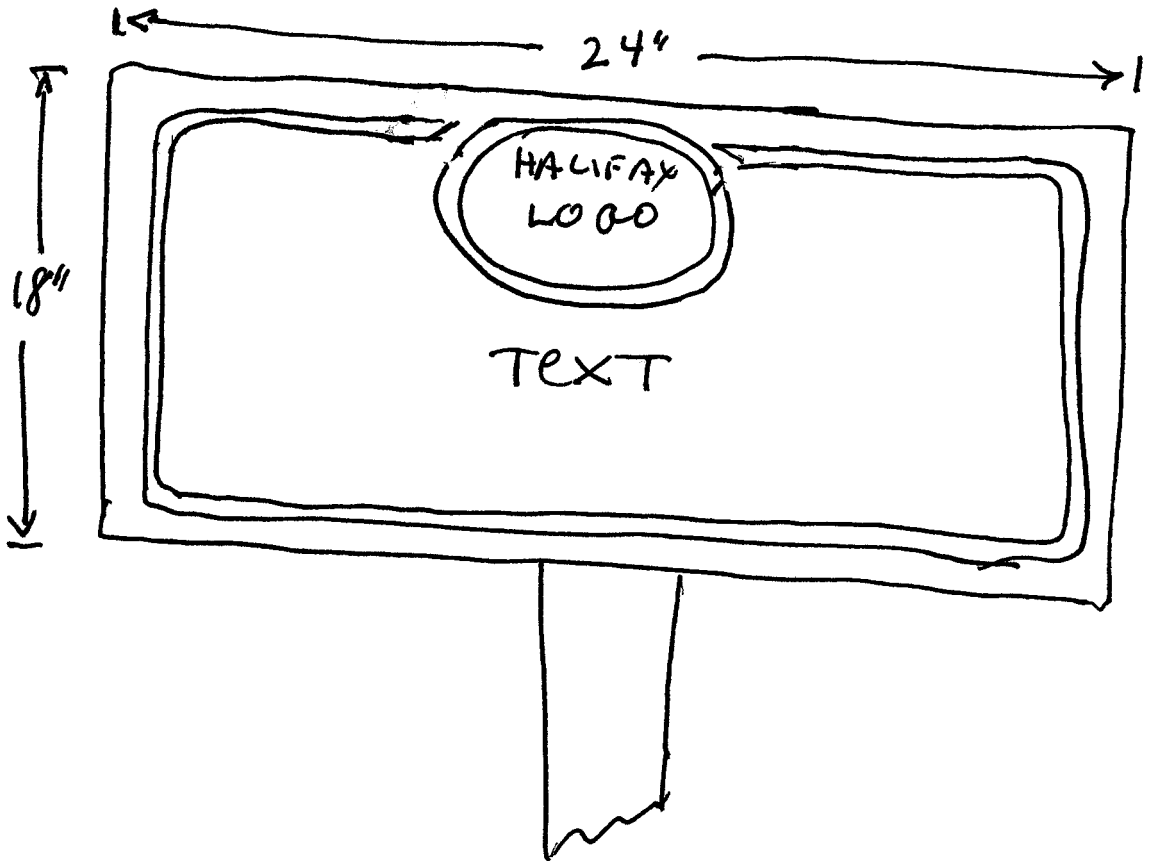


# ALTERNATE SIGN FORMAT

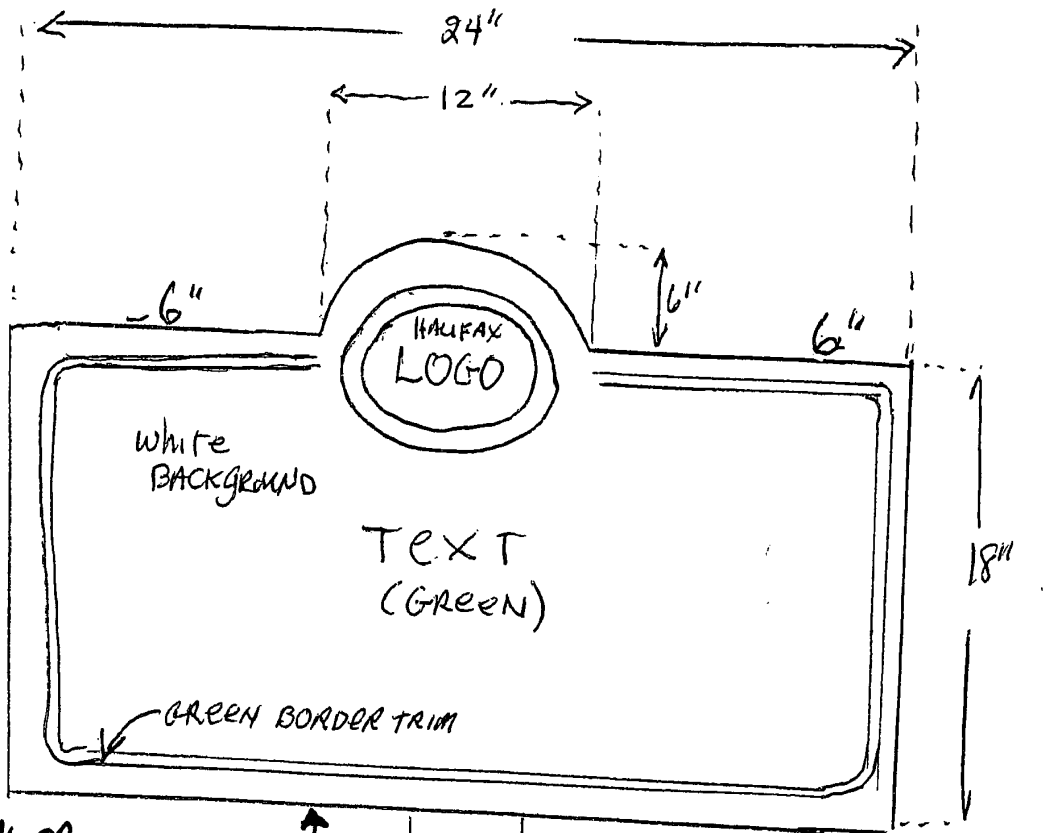


## SAMPLE Texts

[ FOR SALE BY OWNER  
\*PHONE NUMBER\* ]

[ REALTY COMPANY NAME  
AGENT NAME  
PHONE NUMBER ]

[ REALTY COMPANY NAME  
WEBSITE ADDRESS ]



WOOD, METAL OR  
COMPOSITE MATERIAL

Single Post  
(Green)

QUESTIONS:

HALIFAX PLANTATION PHASE II HOA  
386-676-9600 EXT. 320

LOGO AVAILABLE AT speedi sign, DAYTONA BEACH 386-258-1183  
PALM COAST SIGNS, FLAGLER 386-445-2720

(OTHER VENDORS MAY CALL FOR LOGO)